



G SERIES TURBOCHARGERS: A TURN AHEAD OF THE COMPETITION

Garrett G30-660 | G30-770 | G30-900



G series turbochargers feature the latest innovations in turbocharger technology. Advanced compressor and turbine aero offer enthusiasts a wide range of performance boosting solutions for 2.0L - 3.5L engine platforms. Standard and reverse rotation options are offered with a variety of turbine housing configurations making it easy to select the right turbocharger for your application.

Garrett
ADVANCING MOTION

G SERIES TURBOCHARGERS: A TURN AHEAD OF THE COMPETITION

Garrett G30-660 | G30-770 | G30-900



Internally wastegated turbocharger assembly

Features:

- New G Series compressor wheel aerodynamics
- Fully machined speed sensor and pressure ports
- Standard and reverse rotation supercore configurations
- Oil restrictor and water fittings included with purchase
- One piece center housing and backplate for increased durability
- 4 water jacket ports for customizable installation
- Mar-M turbine wheel material rated up to 1050° C | 1922° F
- Stainless steel turbine housings for temperatures up to 1050° C | 1922° F
- Free float turbine housing kits available in T4 divided, T3 and V-band inlet configurations
- Free float T4 divided 1.06 A/R standard rotation turbine housing
- Standard rotation internally wastegated turbochargers available. Fully assembled and calibrated with a 0.5 bar actuator

New

New

G30-660 Reference Data	Compressor				Turbine		
	Inducer	Exducer	Trim	A/R	Inducer	Exducer	Trim
HP: 350-660 Disp: 2.0L-3.5L	54mm	67mm	65	0.70	60mm	55mm	84
G30-660 Turbocharger PN Turbo PN assembled and calibrated with 0.5 bar actuator	Turbo PN		A/R	Inlet	Outlet	Wastegate	Divided
	880704-5002S		0.83	V-Band	V-band	Y	N
880704-5003S		1.01	V-Band	V-band	Y	N	
G30-660 Standard Rotation Supercore PN 880693-5001S	Turbine Kit PN		A/R	Inlet	Outlet	Wastegate	Divided
	740902-0092 New		1.06	T4	V-Band	Free Float	Y
	740902-0090		0.83	T3	V-Band	Free Float	N
	740902-0091		1.01	T3	V-Band	Free Float	N
	740902-0086		0.61	V-Band	V-Band	Free Float	N
	740902-0087		0.83	V-Band	V-band	Free Float	N
	740902-0088		1.01	V-Band	V-band	Free Float	N
740902-0089		1.21	V-Band	V-band	Free Float	N	
G30-660 Reverse Rotation Supercore PN 880694-5001S	Turbine Kit PN		A/R	Inlet	Outlet	Wastegate	Divided
	740902-0100		0.83	T3	V-Band	Free Float	N
	740902-0101		1.01	T3	V-Band	Free Float	N
	740902-0096		0.61	V-Band	V-Band	Free Float	N
	740902-0097		0.83	V-Band	V-band	Free Float	N
	740902-0098		1.01	V-Band	V-band	Free Float	N
740902-0099		1.21	V-Band	V-band	Free Float	N	

G30-770 Reference Data	Compressor				Turbine		
	Inducer	Exducer	Trim	A/R	Inducer	Exducer	Trim
HP: 475-770 Disp: 2.0L-3.5L	58mm	71mm	65	0.72	60mm	55mm	84
G30-770 Turbocharger PN Turbo PN assembled and calibrated with 0.5 bar actuator	Turbo PN		A/R	Inlet	Outlet	Wastegate	Divided
	880704-5005S		0.83	V-Band	V-band	Y	N
880704-5006S		1.01	V-Band	V-band	Y	N	
G30-770 Standard Rotation Supercore PN 880693-5002S	Turbine Kit PN		A/R	Inlet	Outlet	Wastegate	Divided
	740902-0092 New		1.06	T4	V-Band	Free Float	Y
	740902-0090		0.83	T3	V-Band	Free Float	N
	740902-0091		1.01	T3	V-Band	Free Float	N
	740902-0086		0.61	V-Band	V-Band	Free Float	N
	740902-0087		0.83	V-Band	V-band	Free Float	N
	740902-0088		1.01	V-Band	V-band	Free Float	N
740902-0089		1.21	V-Band	V-band	Free Float	N	
G30-770 Reverse Rotation Supercore PN 880694-5002S	Turbine Kit PN		A/R	Inlet	Outlet	Wastegate	Divided
	740902-0100		0.83	T3	V-Band	Free Float	N
	740902-0101		1.01	T3	V-Band	Free Float	N
	740902-0096		0.61	V-Band	V-Band	Free Float	N
	740902-0097		0.83	V-Band	V-band	Free Float	N
	740902-0098		1.01	V-Band	V-band	Free Float	N
740902-0099		1.21	V-Band	V-band	Free Float	N	

The maximum power stated for each turbocharger has been calculated based strictly on choke flow of the compressor map (total turbo capability), which represents the potential flywheel power. Performance results of this product are highly dependent upon your vehicle's modifications and tuning/calibration. Please consult with your local distributor before making a purchase.

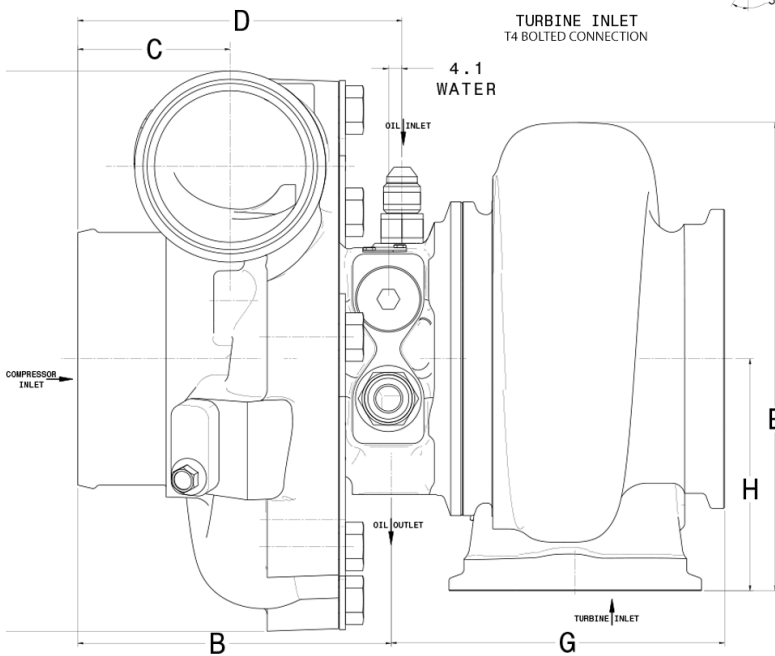
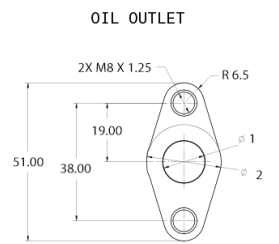
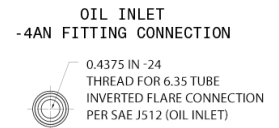
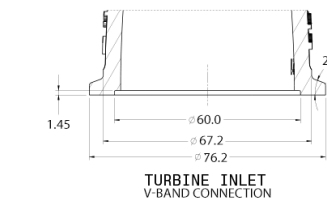
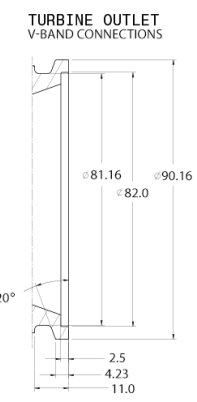
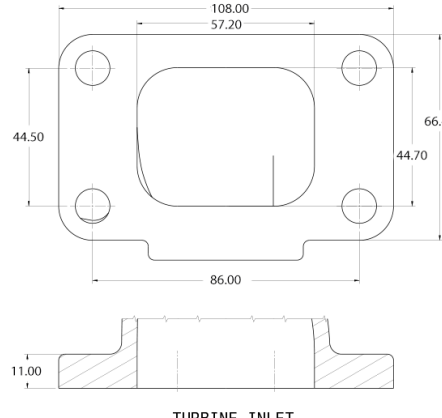
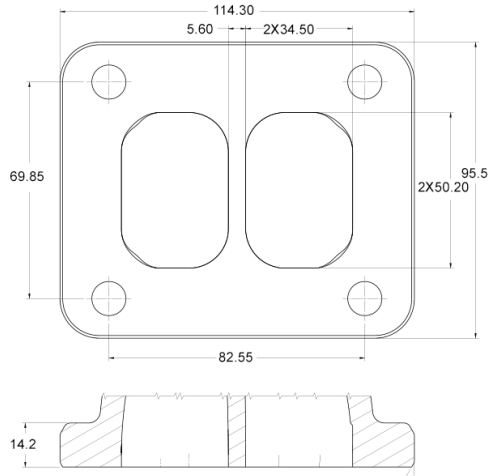
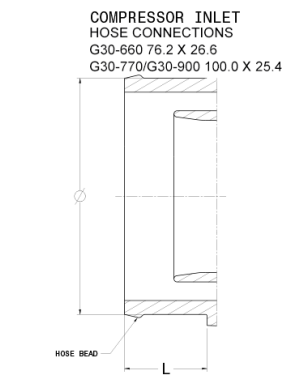
G SERIES TURBOCHARGERS: A TURN AHEAD OF THE COMPETITION

Garrett G30-660 | G30-770 | G30-900

New

G30-900 Reference Data	Compressor				Turbine		
	Inducer	Exducer	Trim	A/R	Inducer	Exducer	Trim
HP: 550-900 Disp: 2.0L-3.5L	62mm	76mm	65	0.72	60mm	55mm	84
G30-900 Turbocharger PN	Turbo PN	A/R	Inlet	Outlet	Wastegate	Divided	
Turbo PN assembled and calibrated with 0.5 bar actuator	880704-5008S	0.83	V-Band	V-Band	Y	N	
	880704-5009S	1.01	V-Band	V-band	Y	N	
G30-900 Standard Rotation Supercore PN	Turbine Kit PN	A/R	Inlet	Outlet	Wastegate	Divided	
880693-5003S	740902-0092	New 1.06	T4	V-Band	Free Float	Y	
	740902-0090	0.83	T3	V-Band	Free Float	N	
	740902-0091	1.01	T3	V-Band	Free Float	N	
	740902-0086	0.61	V-Band	V-Band	Free Float	N	
	740902-0087	0.83	V-Band	V-band	Free Float	N	
	740902-0088	1.01	V-Band	V-band	Free Float	N	
	740902-0089	1.21	V-Band	V-band	Free Float	N	
G30-900 Reverse Rotation Supercore PN	Turbine Kit PN	A/R	Inlet	Outlet	Wastegate	Divided	
880694-5003S	740902-0100	0.83	T3	V-Band	Free Float	N	
	740902-0101	1.01	T3	V-Band	Free Float	N	
	740902-0096	0.61	V-Band	V-Band	Free Float	N	
	740902-0097	0.83	V-Band	V-band	Free Float	N	
	740902-0098	1.01	V-Band	V-band	Free Float	N	
	740902-0099	1.21	V-Band	V-band	Free Float	N	

Garrett G30 Flange Diagrams



COMPRESSOR		
	G30-660	G30-770 G30-900
A	169.0	189.8
B	94.5	93.3
C	46.0	44.7
D	97.8	96.5

TURBINE											
	A/R (INLET)	0.61 (VBAND)	0.83 (VBAND)	1.01 (VBAND)	1.21 (VBAND)	0.83 (T3)	1.01 (T3)	1.06 (T4)	1.01 (T4)WG	0.83 (VBAND)WG	1.01 (VBAND)WG
E	146.1	151.6	156.3	159.6	159.6	159.6	164.5	183.3	175.9	151.8	156.2
G	100.5	100.5	100.5	100.5	113.6	113.6	113.6	103.1	147.9	136.3	136.3
H	70.0	70.0	70.0	70.0	80.0	80.0	80.0	88.5	82.0	70.0	70.0